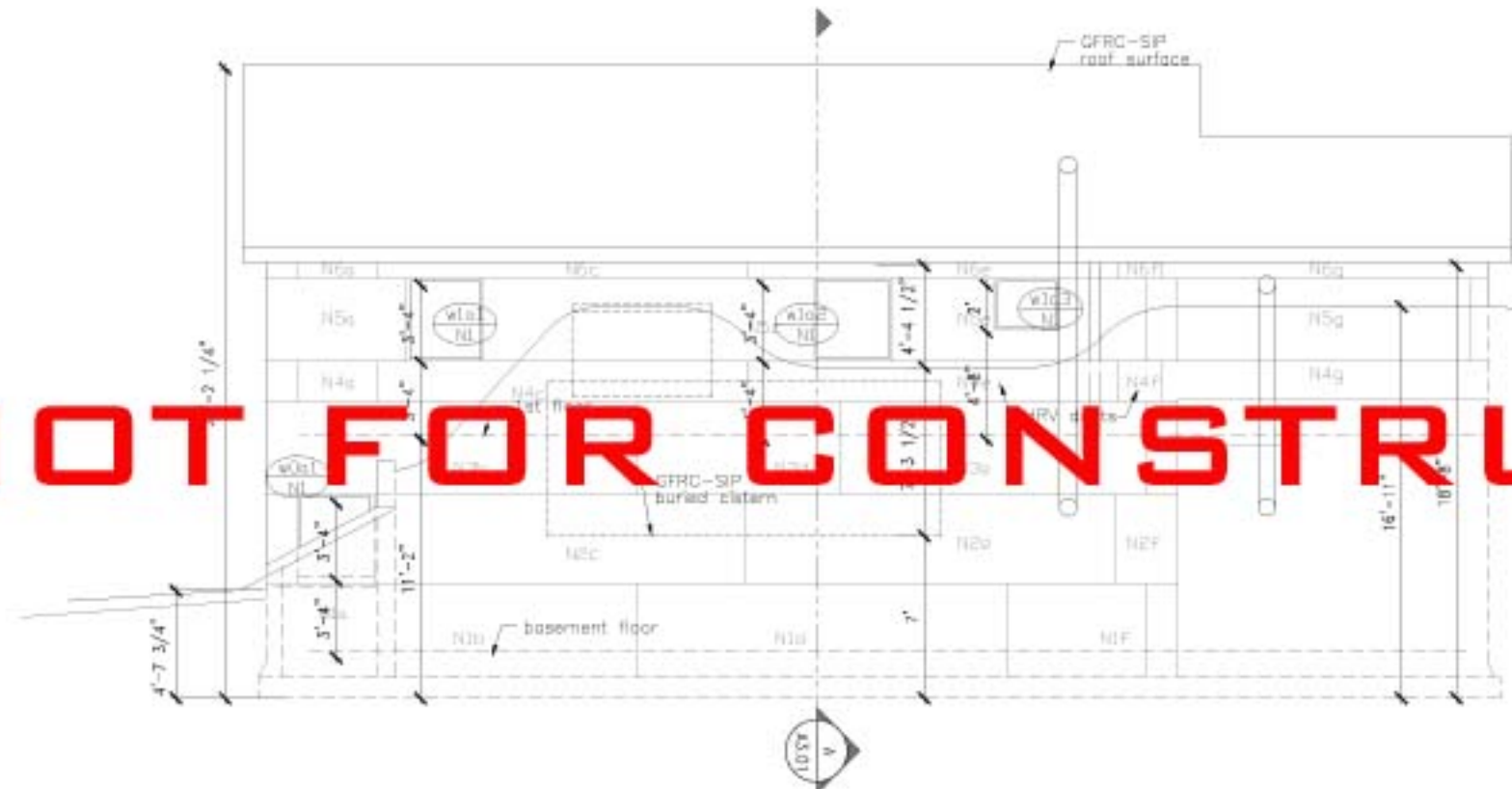


Revised for: Date:

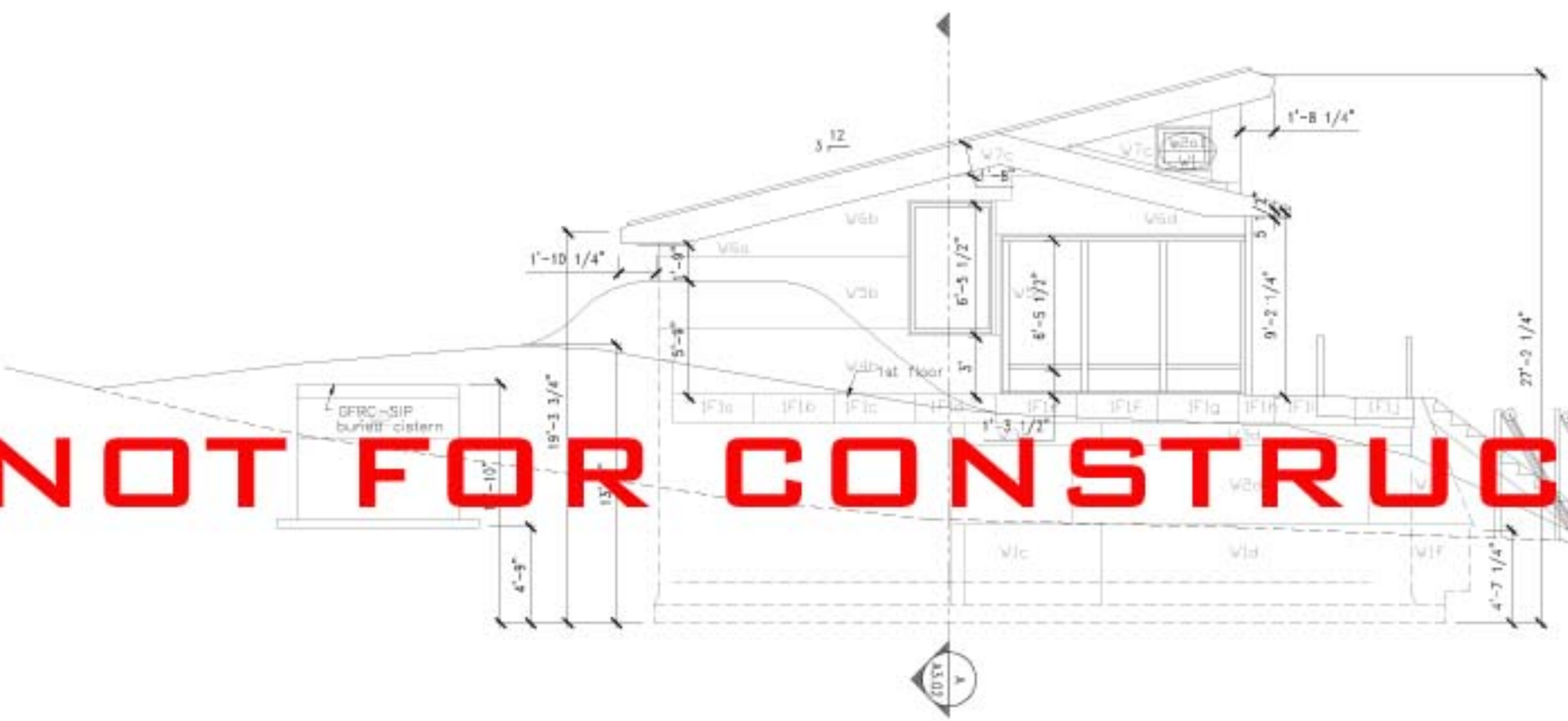
Issued for: Date:  
Permits 7/21/10

**NOT FOR CONSTRUCTION**



**A North Elevation**  
A2.01

**NOT FOR CONSTRUCTION**



**B West Elevation**  
A2.01

*Equilibrium Energy Spaces*  
Appropriate Architecture  
Christina Snyder, RA  
Registered Architect and Residential Builder

For available upon request  
CA.Snyder@ic.org

**Chris' Cottage**  
Michigan's First  
Certified Passive House  
& Zero Energy Home

owner: Chris Coon  
coon@ic.org

Project#: C2-1  
Drawn by: CAS  
Sheet: A2.01  
Title: N. & W. Elev.

C:\p\us6.dwg

7/29/2011 12:27 AM

CS of EES